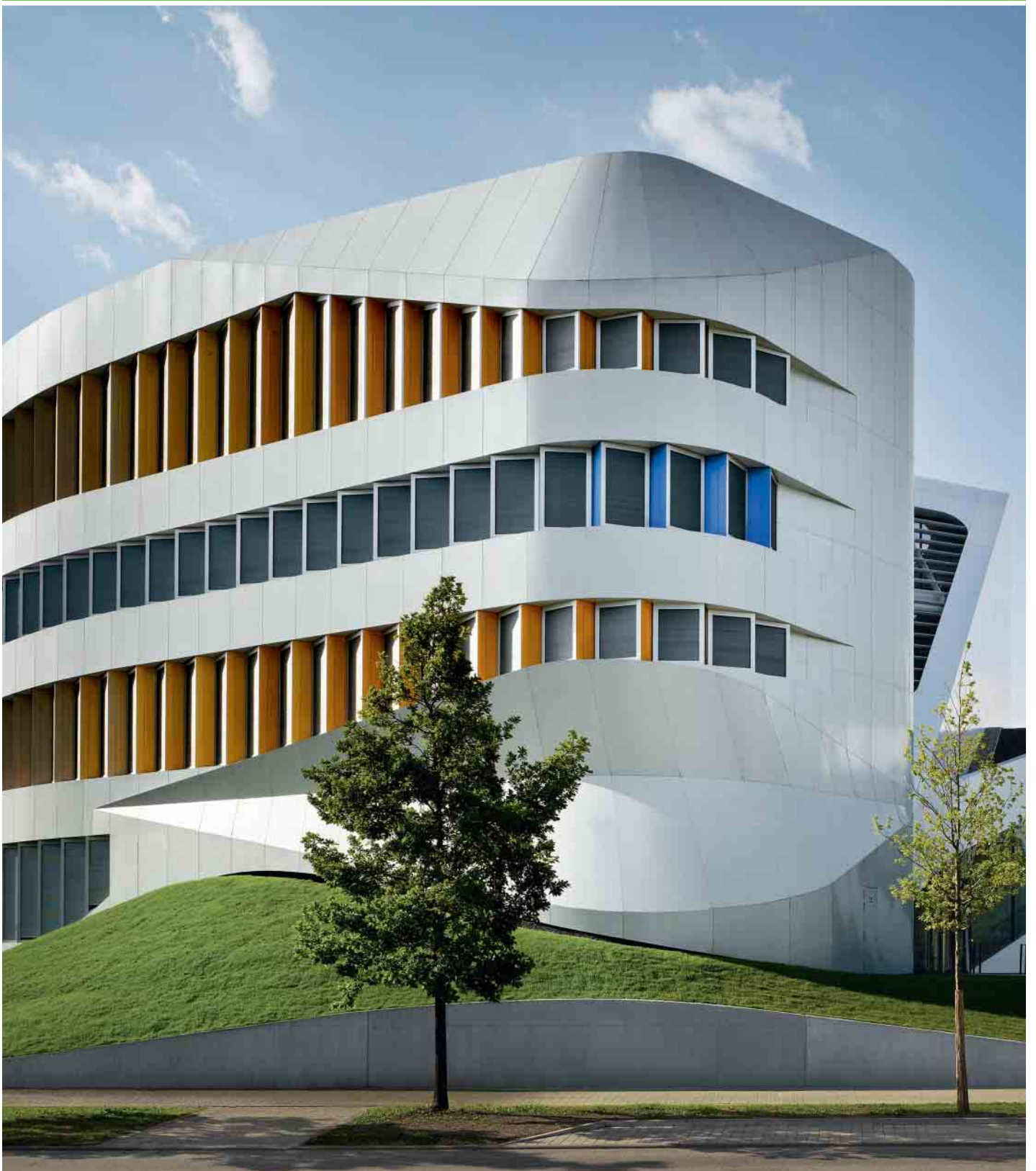
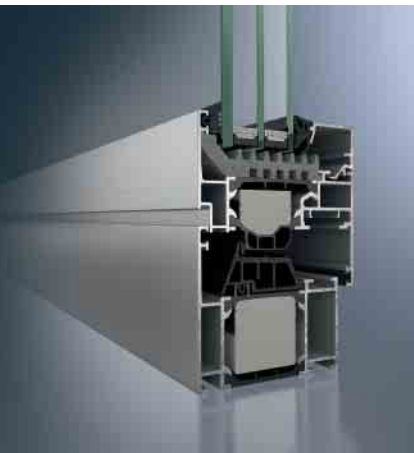


Schüco AWS 75

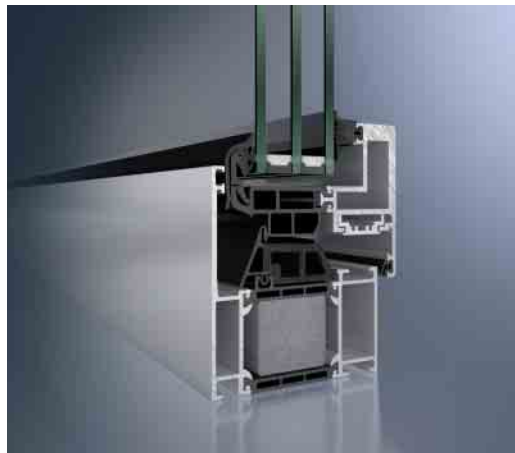
Aluminium-Fenstersystem
Aluminium window system



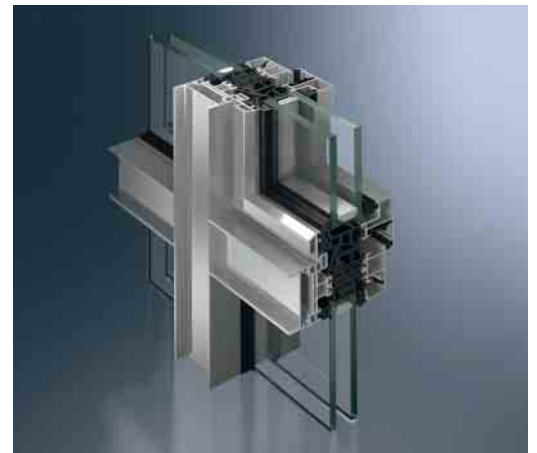
Schüco AWS 75



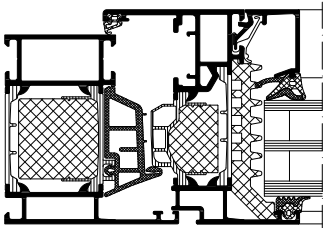
Schüco Fenster AWS 75.SI+
Schüco Fenster AWS 75.SI+



Schüco Fenster AWS 75.BS.SI+
Schüco Window AWS 75.BS.SI+



Schüco Fenster AWS 75.WF.SI+
Schüco Window AWS 75.WF.SI+



Horizontalschnitt
Schüco Fenster AWS 75.SI+,
Maßstab 1:3
Horizontal section detail,
Schüco Window AWS 75.SI+,
scale 1:3

Das hochwertige Fenstersystem mit umfangreichen Lösungsvarianten

Der Schüco AWS-Baukasten in der Bautiefe 75 mm überzeugt durch seine funktionalen, energetischen und gestalterischen Eigenschaften. Das neue Schüco Fenster AWS 75.SI+ bietet eine energetisch optimierte Wärmedämmung mit einem U_f -Wert von $1,2 \text{ W}/(\text{m}^2\text{K})$ bei 117 mm Ansichtsbreite. Die SimplySmart Technologie sorgt durch eine energetisch optimierte Mitteldichtung und eine neue Glasfalzdämmung für Vorteile in der Verarbeitung. In Kombination mit der neuen mechanischen Beschlags-generation Schüco AvanTec SimplySmart ist es zusätzlich gelungen, eine signifikante Montagezeitersparnis zu realisieren. Höchste energetische und architektonische Ansprüche erfüllt das Blockfenster AWS 75.BS.SI+ durch sein schlankes Design bei größtmöglicher Transparenz aufgrund des verdeckt liegenden Flügelrahmens. Auf Basis des Schüco Blockfensters ist das hochwärmegedämmte System Schüco AWS 75.WF.SI+ speziell konzipiert für die wirtschaftliche Ausführung von Fensterbändern mit geschosshohen Verglasungen in Pfosten-Riegel-Anmutung.

The high-quality window system with a comprehensive range of solutions

The Schüco AWS window modules with a basic depth of 75 mm feature impressive characteristics in terms of function, energy efficiency and design. Above all, the new Schüco AWS 75.SI+ window allows the thermal insulation to be optimised for energy efficiency, with a U_f value of $1.2 \text{ W}/(\text{m}^2\text{K})$ and a face width of 117 mm. SimplySmart technology provides fabrication benefits with a centre gasket that is optimised for energy efficiency and new glazing rebate insulation. When used in conjunction with the new generation of Schüco AvanTec SimplySmart mechanical fittings, this also allows significant time savings to be made during installation. The slim design and maximum transparency of the AWS 75.BS.SI+ block window due to its concealed vent frame allow the highest requirements in terms of energy efficiency and architecture to be fulfilled. Based on the Schüco block window, the highly thermally insulated Schüco AWS 75.WF.SI+ system is designed specifically for the economical construction of ribbon windows with storey-height glazing and a mullion/transom appearance.

Schüco AWS 75.SI+ Schüco AWS 75 BS.SI+ Schüco AWS 75 WF.SI+

Produktvorteile Product benefits

- | | | |
|-------------------------------------------------------------------------------------------------------------------------------------------------------------------------------------------------------------------------------------------------------------------------------------------------------------------------------------------------------------------------------------------------------------------------------------------------------------------------------------------------------------------------------------------------------------------------------------------------------------------------------------------------------------------------------------------------------------------------------------------------------------------------------------------------------------------------------------------------------------------------------------------------------------------------------------------------------------------------------------------------------------------------------------------------------------------------------------------------------------------------------------------------------------------------------------------------------------------------------------------------------------------------------------------------------------------------------------------------------------------------------------------------------------------------------------------------------------------------------------------------------------------------------------------------------------------------------------------------------------------------------|--------------------------------------------------------------------------------------------------------------------------------------------------------------------------------------------------------------------------------------------------------------------------------------------------------------------------------------------------------------------------------------------------------------------------------------------------------------------------------------------------------------------------------------------------------------------------------------------------------------------------------------------------------------------------------------------------------------------------------------------------------------------------------------------------------------------------------------------------------------------------------------------------------------------------------------------------------------------------------------------------------------------------------------------------------------------------------------------------------------------------------------------------------------------------------------------------------------------------------------------------------------------------------------------------------------------------------------------------------------------------------------------------|------------------------------------------------------------------------------------------------------------------------------------------------------------------------------------------------------------------------------------------------------------------------------------------------------------------------------------------------------------------------------------------------------------------------------------------------------------------------------------------------------------------------------------------------------------------------------------------------------------------------------------------------------------------------------------------------------------------------------------------------------------------------------------------------------|
| <ul style="list-style-type: none"> ▪ Hochwärmegeädämmtes Aluminium-Fenstersystem mit energetisch optimierter Glasfalzdämmung, Mitteldichtung und neuer Kontur der PA-Verbundleisten mit U_f-Werten ab $0,92 \text{ W}/(\text{m}^2\text{K})$ ▪ $U_f = 1,2 \text{ W}/(\text{m}^2\text{K})$ bei Ansichtsbreite 117 mm mit $U_w = 0,90 \text{ W}/(\text{m}^2\text{K})$ bei $U_g = 0,6 \text{ W}/(\text{m}^2\text{K})$ ▪ Spezieller Modernisierungsblendrahmen zur rationalen Modernisierung verfügbar ▪ Auch als nach außen öffnendes System verfügbar ▪ Mitteldichtung mit Föhnchen in Moosgummi Ausführung ▪ Flügel optional in Standard- bzw. RL-Optik (Residential Line) ▪ Highly thermally insulated aluminium window system with optimised, energy-efficient glazing rebate insulation, centre gasket and new contour of the PA insulating bars with U_f values from $0.92 \text{ W}/(\text{m}^2\text{K})$. ▪ U_f value of $1.2 \text{ W}/(\text{m}^2\text{K})$ with 117 mm face width, U_w value of $0.90 \text{ W}/(\text{m}^2\text{K})$ and U_g value of $0.6 \text{ W}/(\text{m}^2\text{K})$ ▪ Special modernisation outer frame available for efficient modernisation ▪ Also available as an outward-opening system ▪ Centre gasket with fins, made from microcellular rubber ▪ Vent available with Standard and RL (Residential Line) look | <ul style="list-style-type: none"> ▪ Blockfenstersystem mit verdecktem Flügel und exzellenter Wärmedämmung bei 75 mm Bautiefe: U_f-Wert von $1,3 \text{ W}/(\text{m}^2\text{K})$ bei Ansichtsbreite 89 mm und $U_w < 1,0 \text{ W}/(\text{m}^2\text{K})$ mit 3-fach-Verglasung, auch als Variante AWS 75 BS.HI+ mit U_f-Wert ab $1,4 \text{ W}/(\text{m}^2\text{K})$ ▪ Sehr schmale Ansichtsbreiten ab 67 mm durch nicht sichtbaren Fensterflügel ▪ Umfangreiches Profilsortiment mit Pfostenprofilen bis 44 mm Ansichtsbreite, Einspannblendrahmen bis 51 mm, Stulpflügel und Flügelprossen ▪ Block window system with concealed vent and outstanding thermal insulation with a basic depth of 75 mm: U_f value of $1.3 \text{ W}/(\text{m}^2\text{K})$ with a face width of 89 mm and U_w of less than $1.0 \text{ W}/(\text{m}^2\text{K})$ with triple glazing, also available as an AWS 75 BS.HI+ version with a U_f value from $1.4 \text{ W}/(\text{m}^2\text{K})$ ▪ Very narrow face widths from 67 mm due to concealed window vents ▪ Comprehensive profile range with mullion profile face widths of up to 44 mm, insert outer frames of up to 51 mm, double vents and vent sash bars | <ul style="list-style-type: none"> ▪ Hochwärmegeädämmte Fensterfassade mit schmalen äußeren Ansichtsbreiten ab 50 mm ▪ Exzellenter Wärmeschutz und verbesserte Montage durch neue, optimierte Mitteldichtung bei U_f-Wert ab $1,3 \text{ W}/(\text{m}^2\text{K})$ und $U_w < 1,0 \text{ W}/(\text{m}^2\text{K})$ mit 3-fach-Verglasung ▪ Highly thermally insulated window façade with narrow external face widths from 50 mm ▪ Outstanding thermal insulation and installation due to new, optimised centre gasket with a U_f value from $1.3 \text{ W}/(\text{m}^2\text{K})$ and a U_w value of less than $1.0 \text{ W}/(\text{m}^2\text{K})$ with triple glazing |
|-------------------------------------------------------------------------------------------------------------------------------------------------------------------------------------------------------------------------------------------------------------------------------------------------------------------------------------------------------------------------------------------------------------------------------------------------------------------------------------------------------------------------------------------------------------------------------------------------------------------------------------------------------------------------------------------------------------------------------------------------------------------------------------------------------------------------------------------------------------------------------------------------------------------------------------------------------------------------------------------------------------------------------------------------------------------------------------------------------------------------------------------------------------------------------------------------------------------------------------------------------------------------------------------------------------------------------------------------------------------------------------------------------------------------------------------------------------------------------------------------------------------------------------------------------------------------------------------------------------------------------|--------------------------------------------------------------------------------------------------------------------------------------------------------------------------------------------------------------------------------------------------------------------------------------------------------------------------------------------------------------------------------------------------------------------------------------------------------------------------------------------------------------------------------------------------------------------------------------------------------------------------------------------------------------------------------------------------------------------------------------------------------------------------------------------------------------------------------------------------------------------------------------------------------------------------------------------------------------------------------------------------------------------------------------------------------------------------------------------------------------------------------------------------------------------------------------------------------------------------------------------------------------------------------------------------------------------------------------------------------------------------------------------------|------------------------------------------------------------------------------------------------------------------------------------------------------------------------------------------------------------------------------------------------------------------------------------------------------------------------------------------------------------------------------------------------------------------------------------------------------------------------------------------------------------------------------------------------------------------------------------------------------------------------------------------------------------------------------------------------------------------------------------------------------------------------------------------------------|

Verarbeitungsvorteile Fabrication benefits

- | | | |
|-----------------------------------------------------------------------------------------------------------------------------------------------------------------------------------------------------------------------------------------------------------------------------------------------------------------------------------------------------------------------------------------------|------------------------------------------------------------------------------------------------------------------------------------------------------------------------------------------------------------------------------------------------------------------------------------------------|--------------------------------------------------------------------------------------------------------------------------------------------------------------------------------------------------------------------------------------------------------------|
| <ul style="list-style-type: none"> ▪ Verbesserte Verarbeitung der Glasfalzdämmung als Formstück; dadurch Entfall von manuellen, zeitaufwendigen Arbeitsschritten und Reduzierung der Montagezeit ▪ Improved fabrication of the glazing rebate insulation as a moulded piece. This removes the need for time-consuming, manual steps and reduces the installation time | <ul style="list-style-type: none"> ▪ Optimierter Wärmeschutz durch neue Mitteldichtung und einfache Montage durch neuartigen Materialmix ▪ Optimised thermal insulation due to new centre gasket and optimised installation due to innovative combination of materials | <ul style="list-style-type: none"> ▪ Umfangreiche Gestaltungsmöglichkeiten mit Deckschalenvarianten aus dem Schüco Fassadensystem FW 50+ ▪ Comprehensive design options with cover cap versions from the Schüco FW 50+ façade system |
|-----------------------------------------------------------------------------------------------------------------------------------------------------------------------------------------------------------------------------------------------------------------------------------------------------------------------------------------------------------------------------------------------|------------------------------------------------------------------------------------------------------------------------------------------------------------------------------------------------------------------------------------------------------------------------------------------------|--------------------------------------------------------------------------------------------------------------------------------------------------------------------------------------------------------------------------------------------------------------|

Technische Daten Technical data

	AWS 75.SI+	AWS 75 BS.SI+	AWS 75 WF.SI+
U_f -Werte in $\text{W}/(\text{m}^2\text{K})$ ab U_f values in $\text{W}/(\text{m}^2\text{K})$ from	0,92	1,3	1,3
Bautiefe in mm Basic depth in mm	75	75	75
Schüco TipTronic einsetzbar Schüco TipTronic can be used	■	■	■
Schalldämmung/Norm DIN EN 20140 bis R_w -Wert in dB Sound insulation/standard DIN EN 20140 up to R_w value in dB	48	49	45
RC/Einbruchhemmung/Norm DIN EN 1627 (Klasse) RC/burglar resistance/standard DIN EN 1627 (Class)	RC3 (WK3)	RC2 (WK2)	RC2 (WK2)
Schlagregendichtheit/Norm DIN EN 12208 (Klasse) Watertightness/standard DIN EN 12208 (Class)	9a	9a	9a
Luftdurchlässigkeit/Norm DIN 12207 (Klasse) Air permeability/standard DIN 12207 (Class)	4	4	4
Windlastwiderstand/Norm DIN 12210 (Klasse) Wind load resistance/standard DIN 12210 (Class)	C5/B5	C5/B5	C2/B3

Schüco AWS 75



Das Aluminium-Fenstersystem Schüco AWS 75 verbindet die exzellente Wärmedämmung von Kunststoff- und Holzfenstern mit den einzigartigen Vorteilen des Werkstoffs Aluminium: Langlebigkeit und Robustheit, schmale Ansichtsbreiten sowie vielfältiges Design – realisierbar in großen, transparenten Formaten.

The Schüco AWS 75 aluminium window system combines the excellent thermal insulation properties of PVC-U and timber windows with the unique advantages of aluminium: durability and strength, narrow face widths and a variety of designs – all achievable in large, transparent formats.

Schüco International KG

www.schueco.com

Das Neueste in den sozialen Netzwerken unter:
www.schueco.de/newsroom

The latest from the social networks at:
www.schueco.de/newsroom

Schüco: Systemlösungen für Fenster, Türen, Fassaden und Solar.

Mit seinem weltweiten Netzwerk aus Partnern, Architekten, Planern und Investoren realisiert Schüco nachhaltige Gebäudehüllen, die im Einklang mit Natur und Technik den Menschen mit seinen Bedürfnissen in den Vordergrund stellen. Dabei werden höchste Ansprüche an Design, Komfort und Sicherheit erfüllt, gleichzeitig durch Energieeffizienz CO₂-Emissionen reduziert und so die natürlichen Ressourcen geschont. Das Unternehmen mit seinen Sparten Metallbau, Kunststoff und Neue Energien liefert zielgruppengerechte Produkte für Neubau und Modernisierung, die den individuellen Anforderungen der Nutzer in allen Klimazonen gerecht werden. Schüco ist mit mehr als 5.000 Mitarbeitern und 12.000 Partnerunternehmen in 78 Ländern aktiv und hat in 2012 einen Jahresumsatz von 1,8 Milliarden Euro erwirtschaftet.

Schüco: System solutions for windows, doors, façades and solar products.

Together with its worldwide network of partners, architects, specifiers and investors, Schüco creates sustainable building envelopes which focus on people and their needs in harmony with nature and technology. The highest demands for design, comfort and security can be met, whilst simultaneously reducing CO₂ emissions through energy efficiency, thereby conserving natural resources. The company and its Metal, PVC-U and New Energies divisions deliver tailored products for newbuilds and renovations, designed to meet individual user needs in all climate zones. With more than 5,000 employees and 12,000 partner companies, Schüco is active in 78 countries and achieved a turnover of 1.8 billion euros in 2012.

SCHÜCO